

Berkey® Water Filters

"Simply the Best"

NEW MILLENNIUM CONCEPTS, LTD.

**Models: Travel Berkey®
Big Berkey® - Royal Berkey®
Imperial Berkey®
Crown Berkey™**

WARNING: Failure to read, thoroughly understand, and follow all instructions may result in personal injury, water damage, or voiding of the warranty! It is the assembler's responsibility to make sure all components are properly assembled and installed using the instructions provided. While your Berkey® system should not have any leaking problems, there is always the chance that a leak might occur due to being improperly assembled or perhaps a faulty part. In an overabundance of caution, we recommend that for the first 24 hours the filled system be placed in an area wherein if such a leak were to occur, the resulting spillage would not damage anything within the household.

Introduction:

Now that you have bought your Berkey® water filter, you have taken the first step towards protecting you and your family from disease causing pathogens, parasites and other waterborne contaminants.

The ease of operation of this unit combined with a proven effectiveness at eliminating waterborne diseases such as cholera and typhoid, has led to this filter being specified for field operations by many of the world's major aid and emergency relief organizations.

Contents:

- | | |
|---|------------------------|
| 1- Upper Chamber | 1- Lower Chamber |
| 1- Spigot, nut and two washers | 1- Lid, knob and screw |
| 1- Assembly instruction sheet | |
| 0-6 Blocking Plugs (depending on model) | |
| 2-8 Filter elements, wing nuts and washers (depending on model) | |

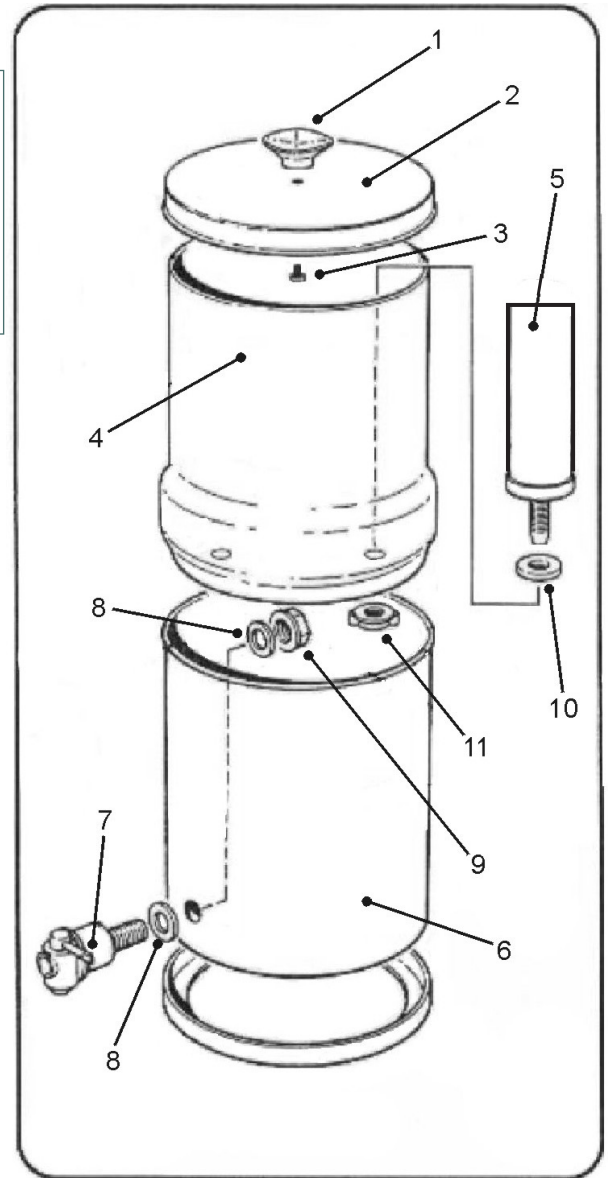
NOTE: Actual components may vary slightly from drawing.

Assembly Instructions:

1. Extreme cleanliness is important. Wash hands and system before proceeding to assure that contamination of the components does not take place during assembly.
2. Remove the filter elements and parts from their protective packaging, checking each item against the above list.
- Note: The number of elements supplied will depend on the type of unit ordered.
3. Fit the knob (1) onto the lid (2) by inserting the screw (3) up through the hole in the lid and screwing on the knob. Hand tighten only.
4. Place the large sealing washer (10) over the threaded portion of the element (5).
5. Place the element (5) into the hole inside the base of the upper chamber (4).
6. Secure element in the chamber base by screwing on the wing nut (11) onto the threaded mount. Repeat #4, 5 & 6 until all elements have been installed.
7. For systems having more filter holes than filter elements (expandable systems), secure blocking plugs (12) into empty holes. **NOTE:** Blocking plugs may vary; insert rubber plug into each hole, screw together white blocking plug (top & bottom).
8. Place the beveled exterior washer (8) onto the threaded portion of the outlet spigot (7) with the beveled side facing the system hole and the flat side facing the spigot (7).
9. Insert thread of spigot (7) through hole in the side of the lower chamber (6). Place the second small washer (8) over the thread within the chamber and secure in place with the nut (9). Tighten securely by hand only. For the last 1/4 turn, hold the nut in place and gently turn the spigot until it is tight.
10. Place the upper chamber (4) onto the lower chamber (6) and place lid (2) in Position.

IMPORTANT OPERATIONAL NOTE:

When lower chamber is partially filled, be cautious not to overfill upper chamber as this could cause lower chamber to overflow. For example, if the lower chamber is 1/3 full the upper chamber can be refilled by 2/3rds, if the lower chamber is 1/2 full, the upper chamber can be refilled by 1/2, etc.



Notes:

- 1) If the system is left to stand for more than 3 days, it is recommended that any water left in the lower chamber be run to waste and the water filtered during the first 1 minute also be run to waste.
- 2) When installing filter elements for the first time or replacing used elements, it is important to condition the new filters using the below procedure.
- 3) Spigot styles may vary slightly.



WARNING: Failure to read, thoroughly understand, and follow all instructions may result in personal injury, water damage, or voiding of the warranty! It is the assembler's responsibility to make sure all components are properly assembled and installed using the instructions provided. While your **Berkey**[®] system should not have any leaking problems, there is always the chance that a leak might occur due to being improperly assembled or perhaps a faulty part. In an overabundance of caution, we recommend that for the first 24 hours the filled system be placed in an area wherein if such a leak were to occur, the resulting spillage would not damage anything within the household.

OPERATION

1. **CONDITION FILTERS:** Fill upper chamber (4) fully with cold or room temperature water and cover with lid (2). Allow gravity to filter all the water into lower chamber. Open the spigot to allow all the water to run to waste. Refill upper chamber again with water and open spigot for two minutes and allow the water to run to waste. This procedure removes process dust and filter particulate from the inner bore of the filtration elements. Your **Berkey**[®] water filter is now ready for use.

2. When lower chamber is partially filled, be cautious to not overflow upper chamber as this could cause lower chamber to overflow. For example, if the lower chamber is 1/3 full the upper chamber can be refilled by 2/3rds, if the lower chamber is 1/2 full, the upper chamber can be refilled by 1/2, etc.

MAINTENANCE

Wash lower chamber once per month with soapy dishwater. In areas with hard water, calcium scale may build up on spigot and chambers after prolonged use. To remove, soak affected part(s) in vinegar or a 50-50% mix of vinegar and water for about 15 minutes. Then clean with soapy dishwater. After prolonged use the flow rate may decrease significantly. To speed up flow rate, scrub exterior of each filtration element with a stiff brush or ScotchBrite[®] pad. Never wash filtration elements with cleaning detergents or soap.

Not intended for use with saltwater. While this filter can efficiently filter pond, lake and river water always use the cleanest, clearest water whenever possible. As an additional precaution, if using a source of water that you believe might contain extreme viral and bacteriological contamination, it is recommended by the CDC, EPA and other organizations that approximately sixteen drops of plain bleach (sodium hypochlorite) or iodine per gallon be added to treat the source water before purifying. This should kill minute pathogens such as viruses in approximately 30 minutes. The disinfectant will then be removed from the treated water entirely, including its odor and taste. For more information in this regard, please reference:

<http://www.cdc.gov/travel/page/water-treatment.htm> -or-
<http://water.epa.gov/drink/emergprep/emergencydisinfection.cfm>.

NOTES: When filter is not used regularly, remove elements from system and allow to air dry. Store elements dry. If the system is left to stand for more than 3 days, it is recommended that any water left in the lower chamber be run to waste and the water filtered during the first 1 minute be also run to waste. Until first activated, elements can be stored indefinitely. Do not allow wet filtration elements to freeze. Do not place filter elements in dishwasher or microwave oven.

GENERAL WARRANTY INFORMATION

New Millennium Concepts, Ltd. warrants this product to be free from defects in materials and workmanship for a period of one year from date of purchase. New Millennium Concepts, Ltd. will replace or repair any product that it deems is not properly functioning during the stated warranty period. Relief under this warranty is limited to the replacement or repair of defective materials or workmanship only. New Millennium Concepts, Ltd. shall not be held liable for incidental or consequential damage to personal property from, but not limited to, a defective unit, improper use, abuse, accident, or neglect, etc. No warranty will apply to units which have been used for purposes not intended, which have been altered so as, in the manufacturers judgment, to affect adversely its performance. This warranty is for the original retail purchaser only, and cannot be transferred. Repair or replacement of parts will be made upon delivery to manufacturer's plant or authorized service dealer at customer's expense. The laws of the State of Texas, USA, will govern any disputes regarding this warranty or claim made. This warranty which is given expressly in lieu of all warranties, expressed or implied, or merchantability and fitness for a particular purpose, constitutes the only warranty made by New Millennium Concepts, Ltd.